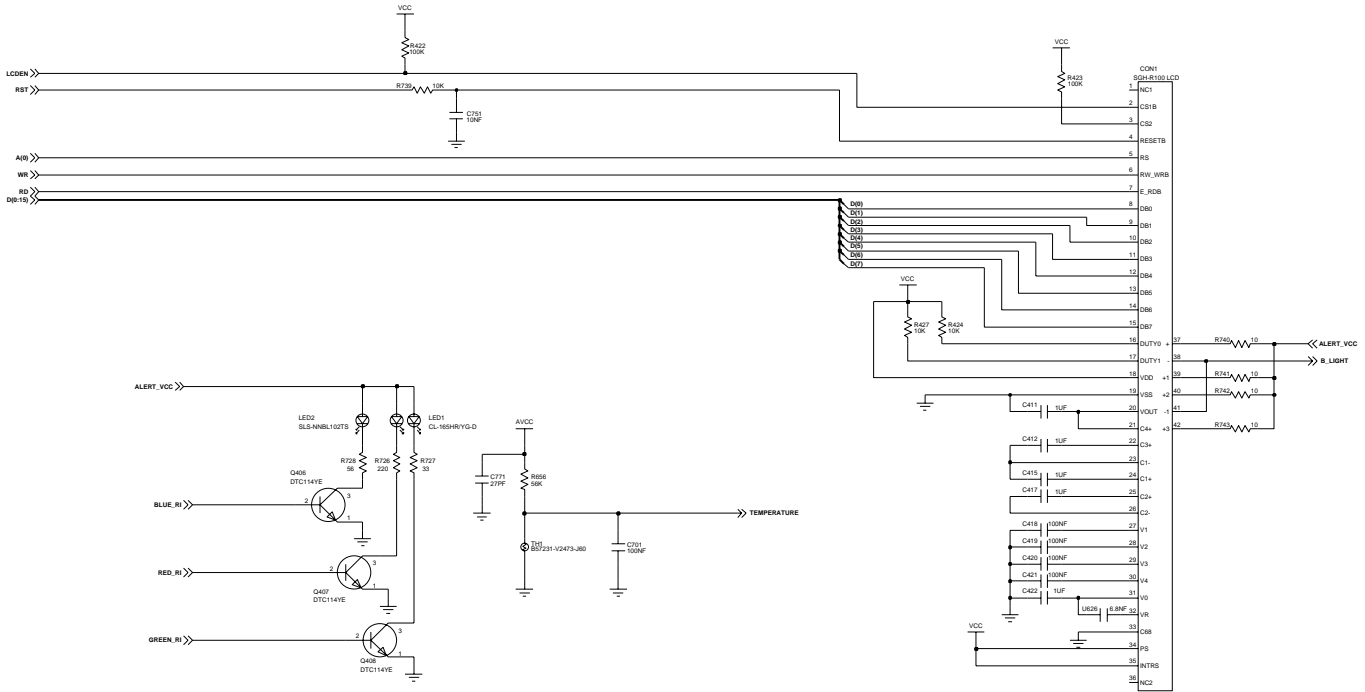
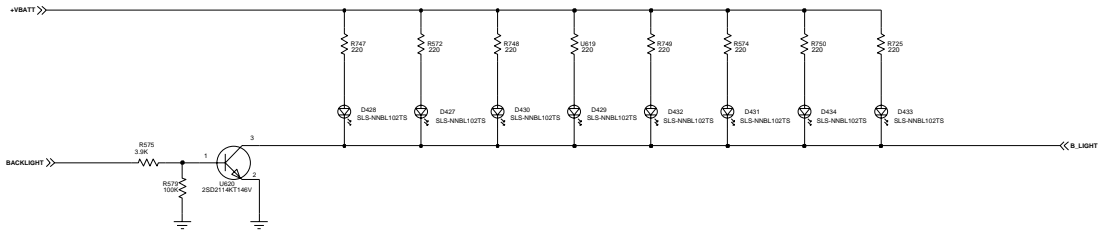
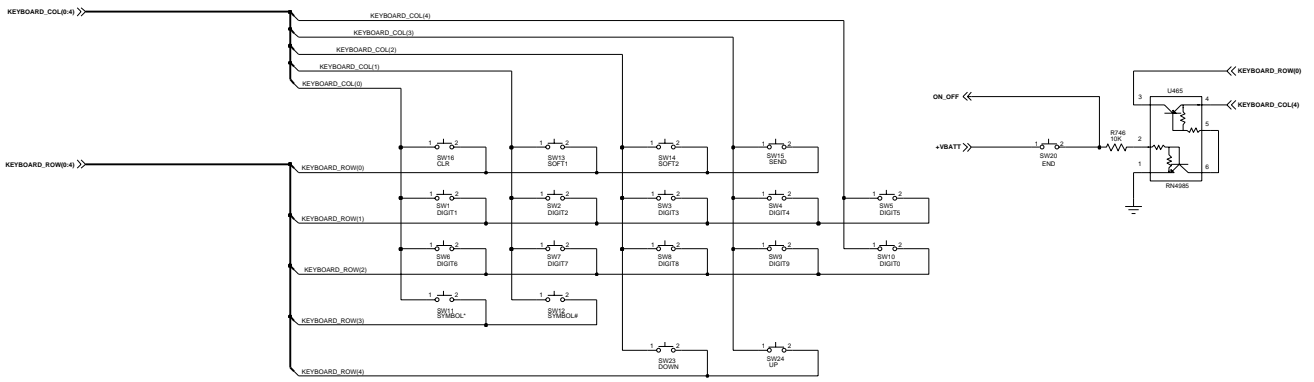


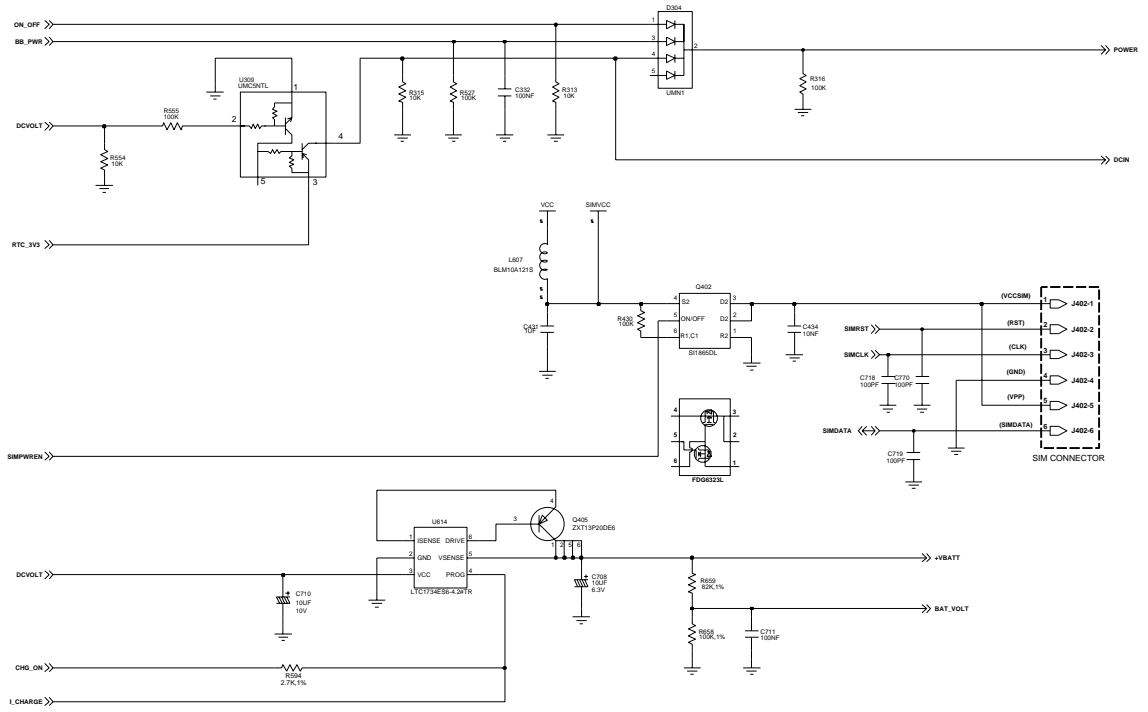
Title		
POWER Management Schematic		
Size	Document Number:	Rev.
A3	SAMSUNG/N500/B.B/PSU	3.1
Date:	Wednesday, Dec. 19, 2001	Sheet 1 of 11



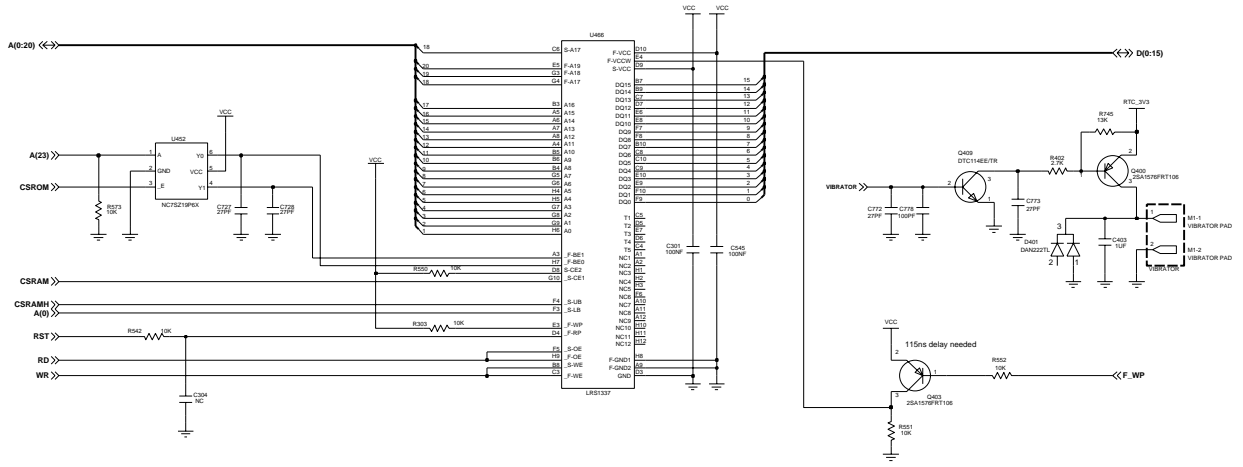
Title			
LCD Schematic			
Doc. No.	Document Number	SAMSUNG/N500B.BA.LCD	
Rev.		Rev.	Rev 3.1
Date:	Wednesday, Dec. 19, 2001	Sheet	2 of 11



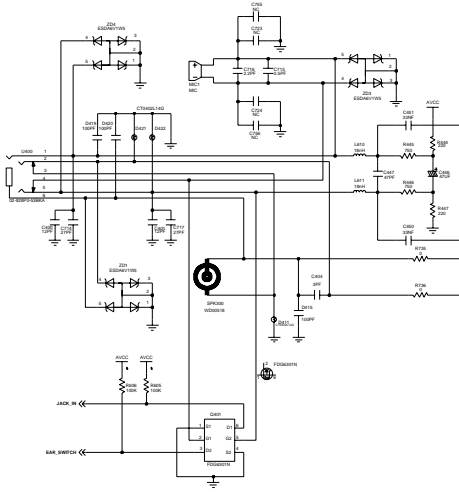
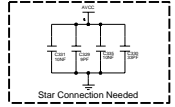
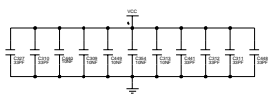
Title		
KEY Schematic		
Size	Document Number	Rev
A1	SAMSUNG/N500B.BA.CD	Rev 3.1
Date:	Wednesday, Dec. 19, 2001	Sheet 3 of 11



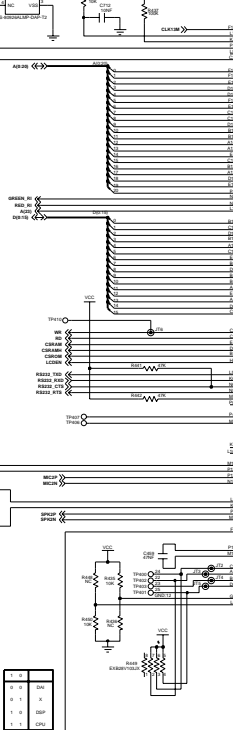
Title			
SIM and Charger Schematic			
Doc No:	Document Number:	SAMSUNG/N500/B.CHARGER	
Rev:			Rev 3.1
Date:	Wednesday, Dec. 19, 2001	Sheet	4 of 11



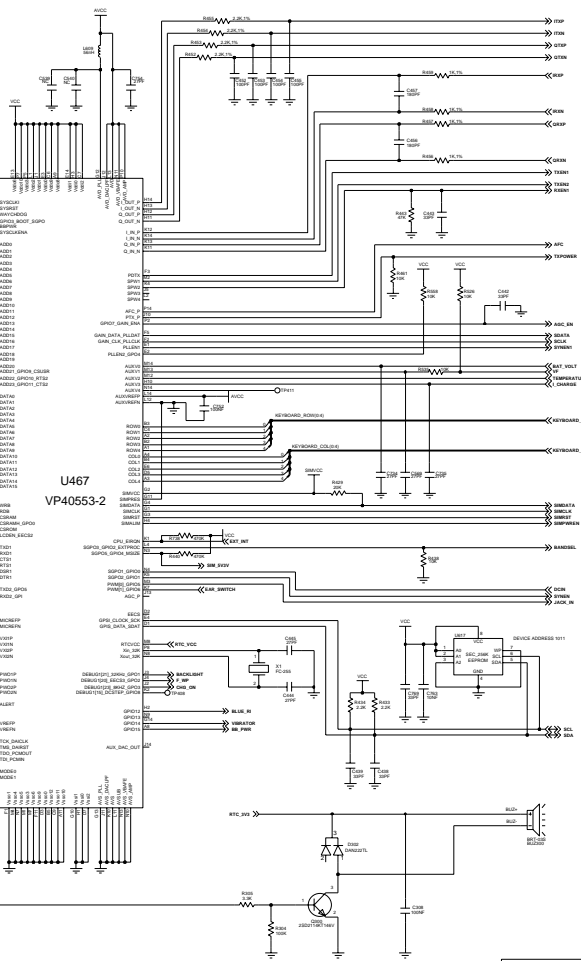
Memory Schematic			
DocuName	SAMSUNG_N500B/B/Memory	Doc	Rev 3.1
Date	Wednesday, Dec. 19, 2001	Sheet	5 of 11

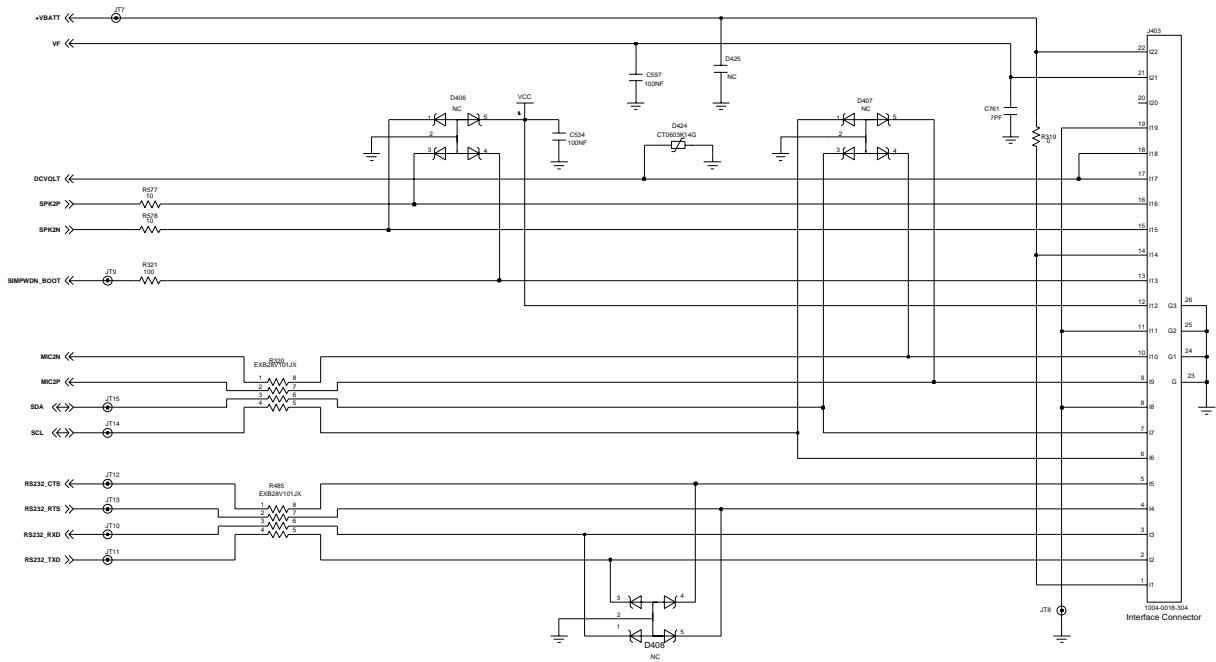


1	X	SW
2	X	SW
3	X	SW
4	X	SW
5	X	SW
6	X	SW
7	X	SW
8	X	SW
9	X	SW
10	X	SW

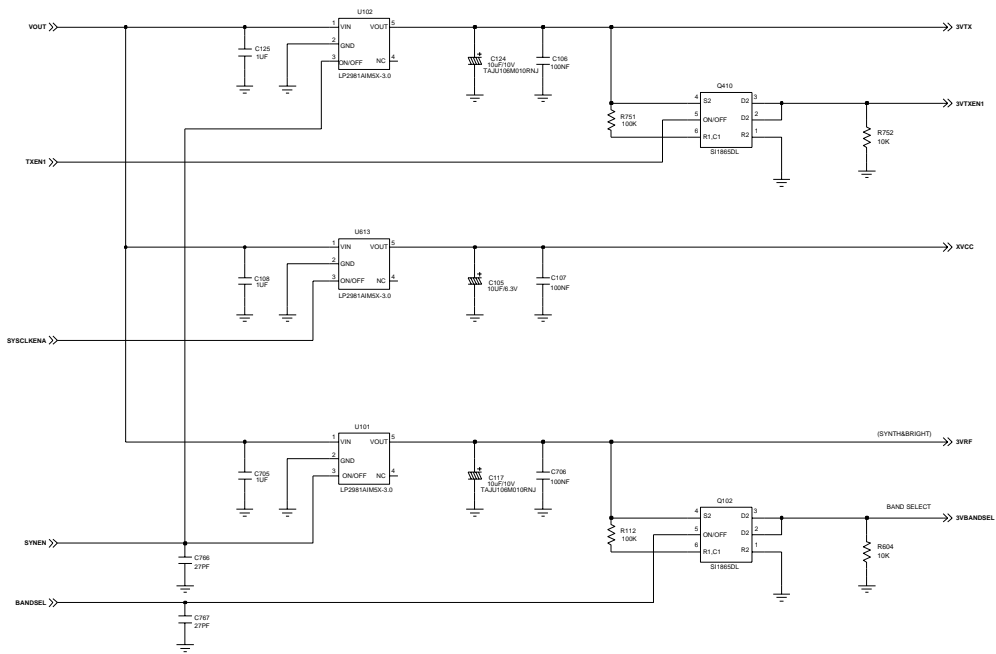


U467
VP4053-2

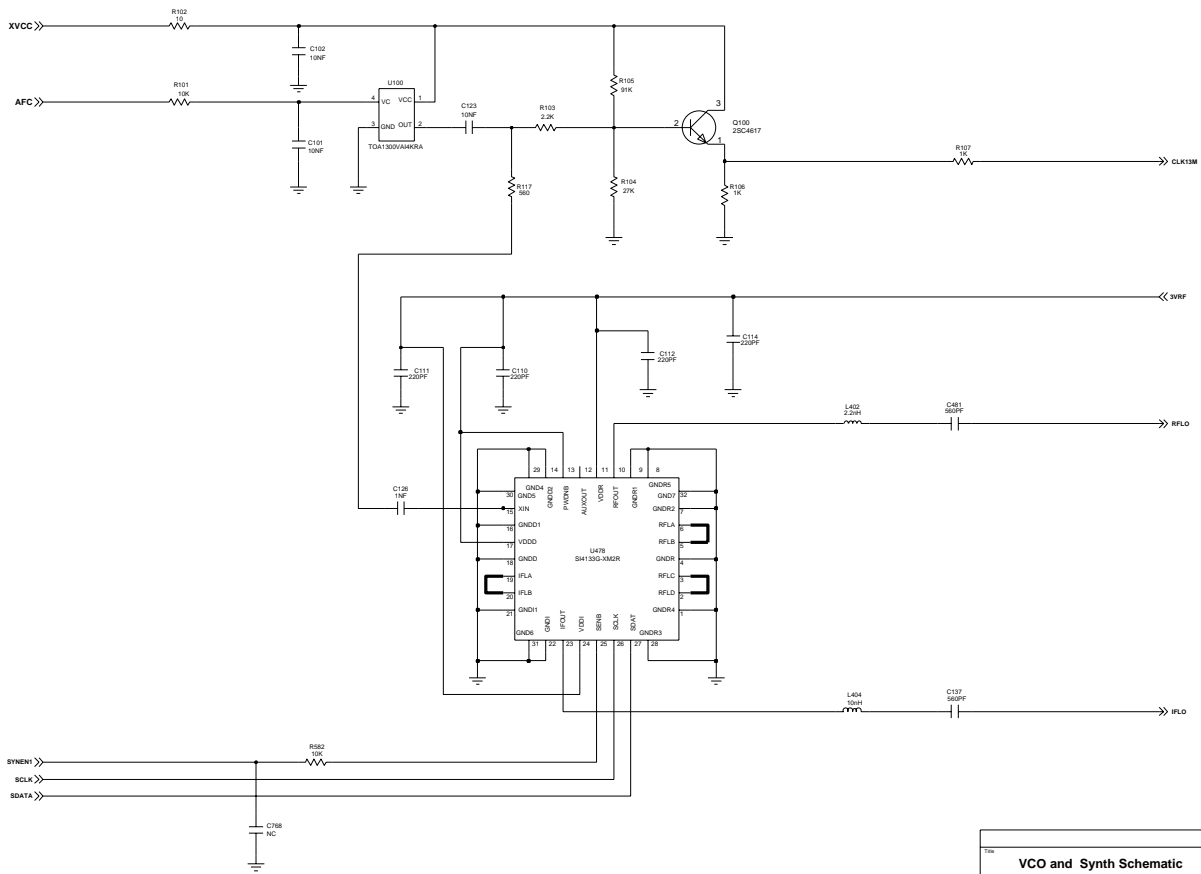




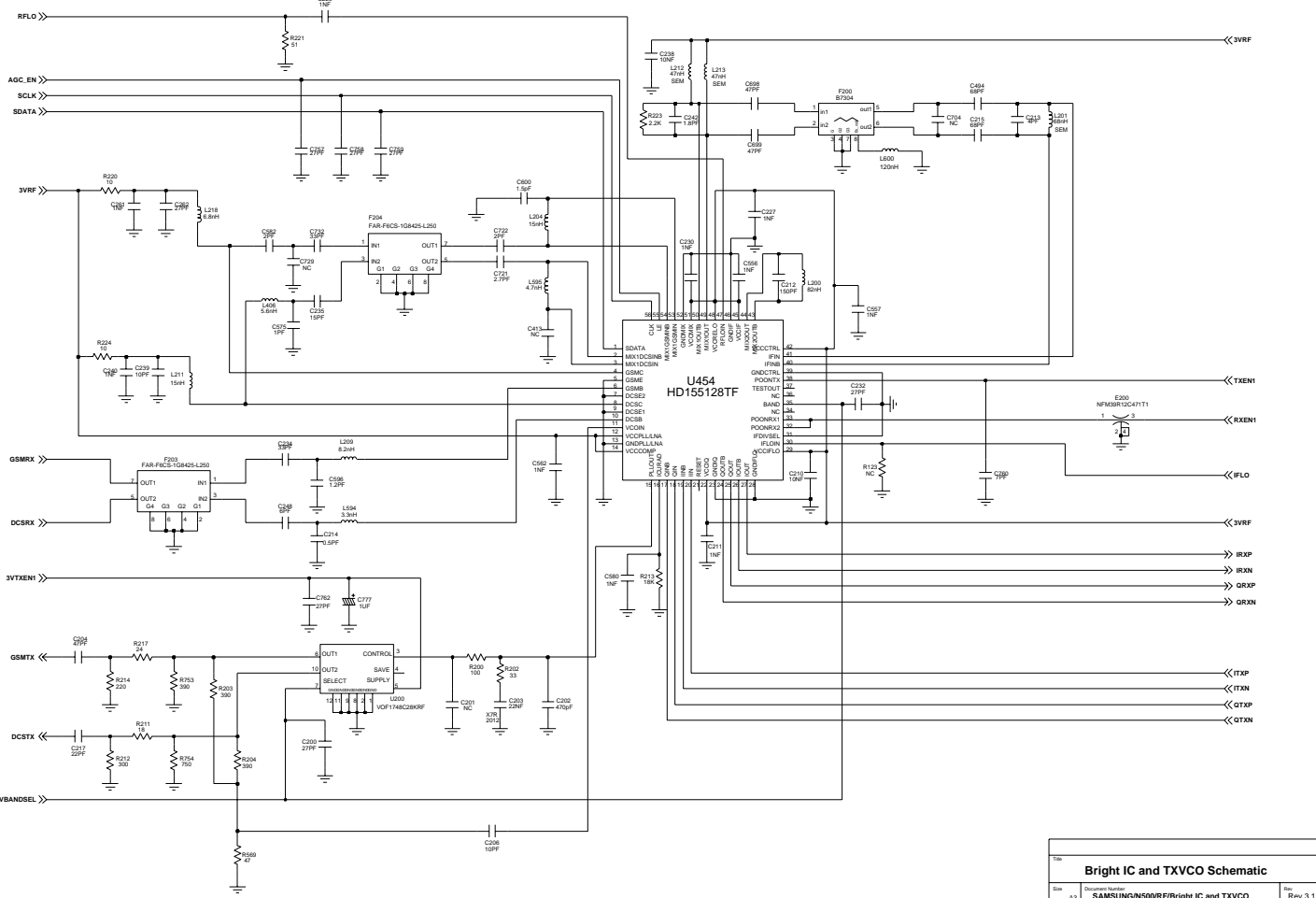
Title		
Interface Connector Schematic		
Size	Document Name:	Rev.
A1	SAMSUNG/N500/B.B/Interface Connector	Rev 3.1
Date:	Wednesday, Dec. 19, 2001	Sheet 7 of 11



Title		
Radio PSU Schematic		
Doc No	Doc Description	Doc Rev
A1	SAMSUNG/N500RF/Radio Power Supply	Rev 3.1
Date:	Wednesday, Dec. 19, 2001	Sheet 8 of 11



Title			
VCO and Synth Schematic			
Doc No	Doc Descr Number	Rev	Rev
A3	SAMSUNG/N500/RF/VCTCXO and Dual synthesizers	3	Rev 3.1
Date:	Wednesday, Dec. 19, 2001	Sheet	9 of 11



Title		
Bright IC and TXVCO Schematic		
Size	Doc No.	Rev.
A1	SAMSUNG/N500RF/Bright IC and TXVCO	Rev 3.1
Date: Wednesday, Dec. 19, 2001		Sheet 10 of 11

